

X-MIST

ST100 OZ



- Walk through sanitizing tunnel
Designed for **200/300 persons per hour**

SANITIZING TUNNEL



X-MIST

ST100 OZ



X-MIST ST100 OZ it is a automatic activation sanitizing tunnel able to reduce the bacterial load of the viruses thanks to the nebulization of a solution of ozone stabilized in water.

How it works

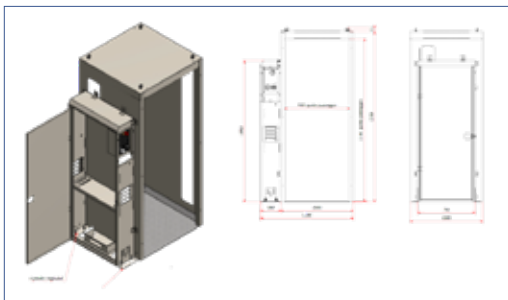
The **X-MIST ST** models are an automatic sanitizing Access Control tunnel. Robust structure in painted and galvanized metal sheet, transparent side viewing panels, easy access also with wheelchairs and for people with limited mobility. No. 5 nozzles spray on people a solution of water and Ozone. TRIME use the system TERSANO SAO, Stabilized Aquous Ozone. The system is safe and certified on people. Test ASTM certified a deactivation of bacteria of 5 log (99,999%) on exposed surfaces even food. People walking inside the tunnel is exposed for 5 - 7 seconds to the mist Ozone is fast and easily sanitized on all exposed surfaces without risk. ***Fine nebulisation to avoid the wet effect and decrease the use of water***

Benefits of Tersano SAO system:

- Eliminates germs, odors, stains, mold, and mildew.
- Quickly kills viruses and bacteria including E.coli, Salmonella, MRSA and more.
- Safe and effective with no toxins, carcinogens, or chemical residue.

Advantages

- Reduces the risk of infection by **COVID-19** and all harmful virus;
- Walk through sanitizing tunnel designed for **200/300 persons per hour**;
- Automatic system controlled by photocells;
- Robust structure easily transportable and to put in operation;
- **Compact dimension for flexible installation.**



X-Mist ST100 OZ

Spray system	no. 5 nozzles 300µm
Piston pump	100 bar - 60 l/h - 0.55 kW
Sanitizer	Stabilized Aqueous Ozone
Connection	Water main 1" gas - Electric Plug CEE 16A 220V
Trasport dimensions	1000 x 1280 x 2350 h mm
Dimensions	1000 x 1280 x 2350 h mm
Total weight	320 kg
Water consumption	0.7 l/min